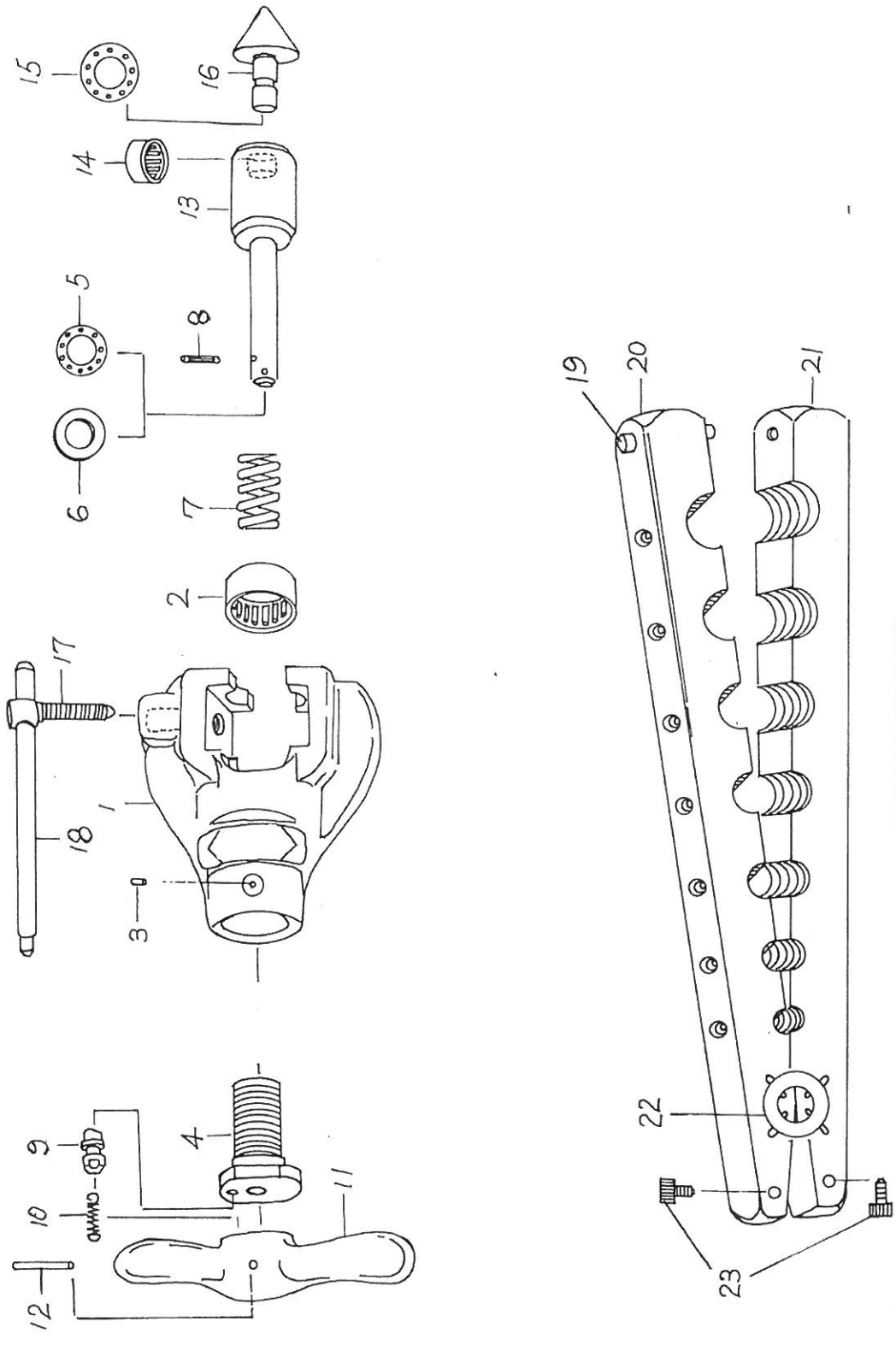


08050...

W810A

W806A Exploded view



WIGAM SpA - Loc. Spedale 10/b 52018 Castel San Niccolò (AR) - Italy
 Tel ++39-0575-5011 Fax ++39-0575-501200
www.wigam.com info@wigam.com